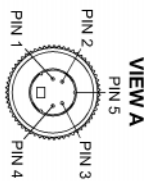
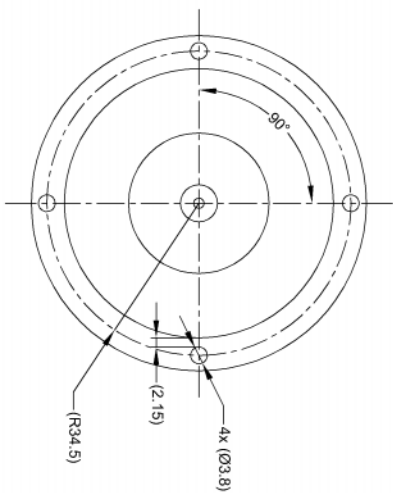
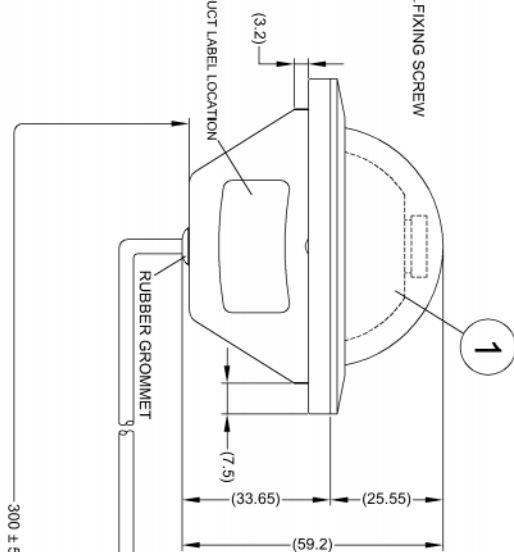
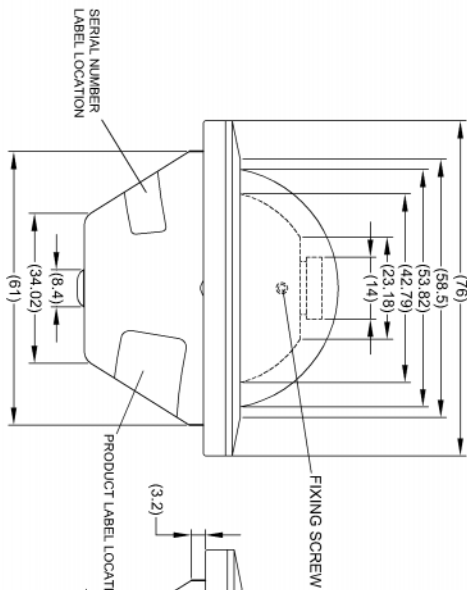
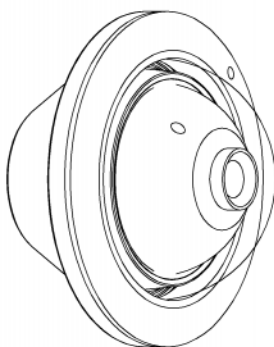
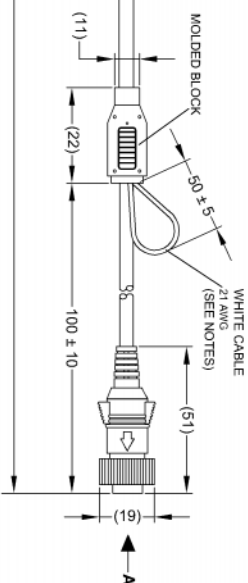


ITEM	STOCK CODE	QTY	DESCRIPTION
1	(#3934)	1	MD-50C CAMERA
2	(#3932)	1	MD-50-FIX FIXING KIT (NOT SHOWN)
3	(#3933)	1	MD-50-IG INSTALLATION GUIDE (NOT SHOWN)



PIN #	DESCRIPTION
1	VIDEO
2	NO CONNECTION
3	NO CONNECTION
4	12VDC
5	GROUND



- NOTES:
1. CUT WHITE CABLE FOR MIRROR IMAGE.
  2. FOR PRODUCT LABEL REFER TO LATEST REVISION OF BE-001683-XX-11.
  3. FOR SERIAL NUMBER LABEL REFER TO LATEST REVISION OF DRAWING BE-001698-XX-11.

PROPRIETARY NOTICE  
 THIS DESIGN AND TECHNICAL INFORMATION APPEARING ON THIS DRAWING IS THE PROPERTY OF BRIGADE ELECTRONICS AND IS DISCLOSED IN CONFIDENCE. IT IS NOT TO BE COPIED, REPRODUCED, REVEALED TO OR EXPLOITED BY OTHERS, EITHER IN WHOLE OR IN PART WITHOUT THE EXPRESS WRITTEN CONSENT OF BRIGADE ELECTRONICS.

Revision Notes:	
1.	HOUSING UPDATED.
Checked By:	LB
Approved By:	DK
Date Released:	25/05/12

**BRIGADE**  
 www.brigade-electronics.com

Assembly PI Approval SK Ng (17/05/12)		Approved by DKERAL		Checked by LBRAR		Drawn by JNEWMAN	
Angle of Projection Third Angle	Status RELEASED	Units mm	Scale N/A	Released 28/07/11	Assembly Ref 2-COV-CH8AXX32-N	MD-50	
		Stock Code 2581A	BE-001474-01-11				